

## IP68 DOME CLOSURE

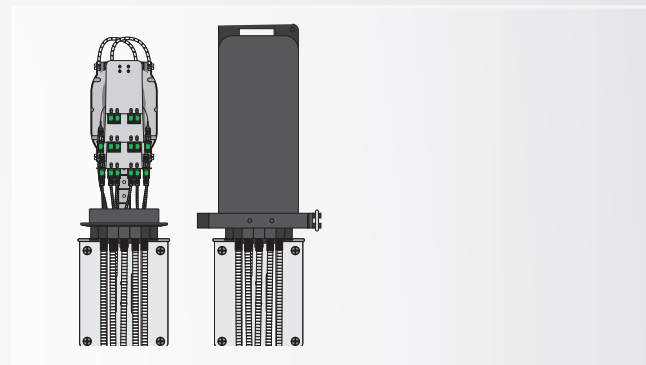


IP68 Dome Closure is a dome-style closure that is pre-terminated with an optional multi-fibre tail, ready to be routed through microduct back to the Node if necessary.

The Spliceless Dome provides 4,8,12 or 16 pre-terminated SC/APC or SC/UPC or LC sockets, and ports for an identical number of microduct routes to the home which can be connected as required for rapid, simple fibre deployment.

### ADVANTAGES

- IP68 sealed closure for water and dust protection
- Industry standard SC and LC connections
- Can be used almost anywhere due to seal properties
- 2 inbound cable ports to accept loop-in cables if required
- IP68 blanking plugs for unused microduct routes
- Available with PON splitter(s) pre-installed



### COMPATIBILITY LIST

IP68 Dome Closure is compatible with:

- Industry standard SC and LC terminated cables
- Standard sized microduct
- Loop-in Cables
- Can be specified with non-Miniflex™ Fibre Cable tail

### SPECIFICATIONS

- ISO9001 Production
- UV Stable
- Water resistant - IP68

### APPLICATIONS

✓ FTTH/FTTx - OUTDOOR

✓ FTTH/FTTx - INDOOR

DATA INFRASTRUCTURES

✓ TELECOMS

TRANSPORT - AUTOMOTIVE

TRANSPORT - AEROSPACE

### CONTACT US

EMEA Sales: +44 (0) 1728 726 600

USA Sales: +1 847 325 5454

EMEA Tech Support: +44 (0) 1728 727 922

USA Tech Support: +1 847 325 5454

EMEA Sales: sales@m2fx.com

USA Sales: sales@m2fx.com

EMEA Support: techsupport@m2fx.com

USA Tech Support: support@m2fx.com